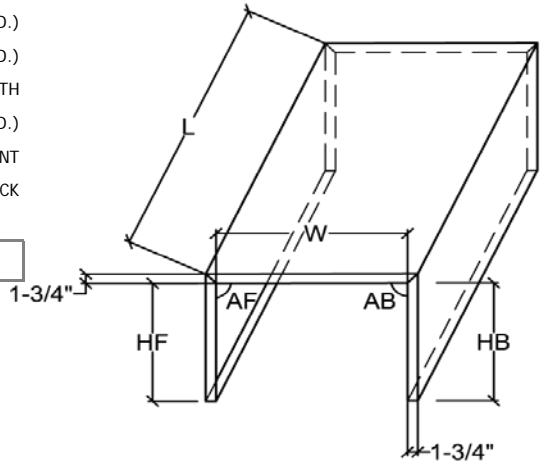




16809 Radholme Court
 Round Rock, TX 78664
 Phone: 512-466-1181
 Fax: 512-252-8923
www.texasacm.net

CUT LIST - COPING

HF = HEIGHT FRONT (I.D.)
 HB = HEIGHT BACK (I.D.)
 L = LENGTH
 W = WIDTH (I.D.)
 AF = ANGLE FRONT
 AB = ANGLE BACK



CUSTOMER / BILL TO:

[Name]
 [Company Name]
 [Street Address]
 [City, ST ZIP]
 [Phone]

PROJECT / SHIP TO:

[Name]
 [Company Name]
 [Street Address]
 [City, ST ZIP]
 [Phone]

DATE	QUOTE #	CUSTOMER PO #	CUSTOMER CONTACT

ITEM #	QTY	HF	HB	L	W	AF	AB	SF/PANEL
CP-1								
CP-2								
CP-3								
CP-4								
CP-5								
CP-6								
CP-7								
CP-8								
CP-9								
CP-10								
CP-11								
CP-12								
CP-13								
CP-14								
CP-15								
CP-16								

SIGNATURE INDICATES APPROVAL OF ABOVE CUT LIST AND
 AUTHORIZES TEXAS ACM TO PROCEED WITH FABRICATION UPON RECEIPT OF SIGNED SALES ORDER.

Signature Date

Printed Name

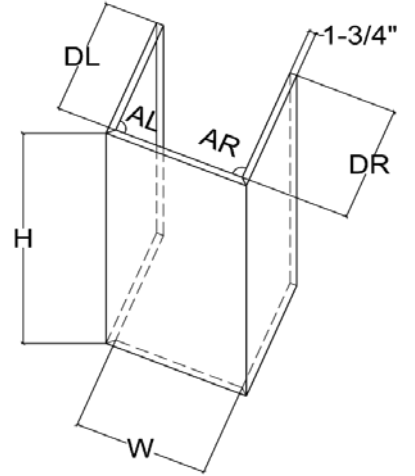
If you have any questions or concerns, please contact
 Jason Milliken 512-466-1181 texasacm3@gmail.com
 Thank You For Your Business!



16809 Radholme Court
 Round Rock, TX 78664
 Phone: 512-466-1181
 Fax: 512-252-8923
www.texasacm.net

CUT LIST - COLUMN

H=HEIGHT
 DL=DEPTH LEFT (I.D.)
 DR=DEPTH RIGHT (I.D.)
 W=WIDTH (I.D.)
 AL = ANGLE LEFT
 AR = ANGLE RIGHT



CUSTOMER / BILL TO:

[Name]
 [Company Name]
 [Street Address]
 [City, ST ZIP]
 [Phone]

PROJECT / SHIP TO:

[Name]
 [Company Name]
 [Street Address]
 [City, ST ZIP]
 [Phone]

DATE	QUOTE #	CUSTOMER PO #	CUSTOMER CONTACT

ITEM #	QTY	H	DL	DR	W	AL	AR	SF/PANEL
CLM-1								
CLM-2								
CLM-3								
CLM-4								
CLM-5								
CLM-6								
CLM-7								
CLM-8								
CLM-9								
CLM-10								
CLM-11								
CLM-12								
CLM-13								
CLM-14								
CLM-15								
CLM-16								

SIGNATURE INDICATES APPROVAL OF ABOVE CUT LIST AND
 AUTHORIZES TEXAS ACM TO PROCEED WITH FABRICATION UPON RECEIPT OF SIGNED SALES ORDER.

Signature Date

Printed Name

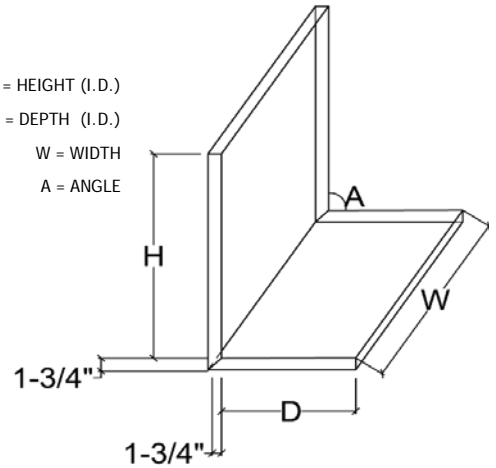
If you have any questions or concerns, please contact
 Jason Milliken 512-466-1181 texasacm3@gmail.com
Thank You For Your Business!



CUT LIST - FASCIA/SOFFIT

16809 Radholme Court
 Round Rock, TX 78664
 Phone: 512-466-1181
 Fax: 512-252-8923
www.texasacm.net

H = HEIGHT (I.D.)
 D = DEPTH (I.D.)
 W = WIDTH
 A = ANGLE



CUSTOMER / BILL TO:

[Name]
 [Company Name]
 [Street Address]
 [City, ST ZIP]
 [Phone]

PROJECT / SHIP TO:

[Name]
 [Company Name]
 [Street Address]
 [City, ST ZIP]
 [Phone]

DATE	QUOTE #	CUSTOMER PO #	CUSTOMER CONTACT

ITEM #	QTY	H	D	W	A	N/A	N/A	SF/PANEL
FS-1								
FS-2								
FS-3								
FS-4								
FS-5								
FS-6								
FS-7								
FS-8								
FS-9								
FS-10								
FS-11								
FS-12								
FS-13								
FS-14								
FS-15								
FS-16								

SIGNATURE INDICATES APPROVAL OF ABOVE CUT LIST AND
 AUTHORIZES TEXAS ACM TO PROCEED WITH FABRICATION UPON RECEIPT OF SIGNED SALES ORDER.

 Signature

 Date

 Printed Name

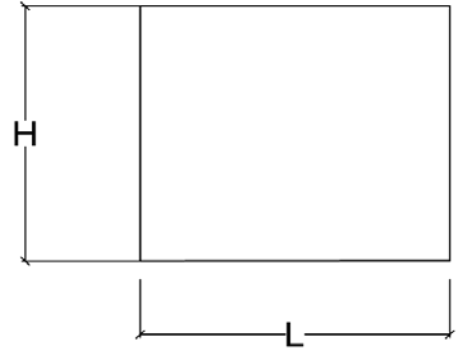
If you have any questions or concerns, please contact
 Jason Milliken 512-466-1181 texasacm3@gmail.com
 Thank You For Your Business!



CUT LIST - FLAT

16809 Radholme Court
 Round Rock, TX 78664
 Phone: 512-466-1181
 Fax: 512-252-8923
www.texasacm.net

H = HEIGHT
 L = LENGTH



CUSTOMER / BILL TO:

[Name]
 [Company Name]
 [Street Address]
 [City, ST ZIP]
 [Phone]

PROJECT / SHIP TO:

[Name]
 [Company Name]
 [Street Address]
 [City, ST ZIP]
 [Phone]

DATE	QUOTE #	CUSTOMER PO #	CUSTOMER CONTACT

ITEM #	QTY	H	L	N/A	N/A	N/A	N/A	SF/PANEL
FL-1								
FL-2								
FL-3								
FL-4								
FL-5								
FL-6								
FL-7								
FL-8								
FL-9								
FL-10								
FL-11								
FL-12								
FL-13								
FL-14								
FL-15								
FL-16								

SIGNATURE INDICATES APPROVAL OF ABOVE CUT LIST AND
 AUTHORIZES TEXAS ACM TO PROCEED WITH FABRICATION UPON RECEIPT OF SIGNED SALES ORDER.

 Signature

 Printed Name

 Date

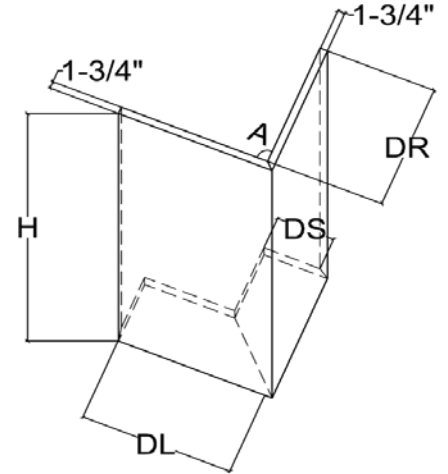
If you have any questions or concerns, please contact
 Jason Milliken 512-466-1181 texasacm3@gmail.com
Thank You For Your Business!



CUT LIST - FASCIA/SOFFIT/CORNER

16809 Radholme Court
 Round Rock, TX 78664
 Phone: 512-466-1181
 Fax: 512-252-8923
www.texasacm.net

H = HEIGHT
 DR = DEPTH RIGHT (I.D.)
 DL = DEPTH LEFT (I.D.)
 A = ANGLE
 DS = DEPTH SOFFIT (I.D.)



CUSTOMER / BILL TO:

[Name]
 [Company Name]
 [Street Address]
 [City, ST ZIP]
 [Phone]

PROJECT / SHIP TO:

[Name]
 [Company Name]
 [Street Address]
 [City, ST ZIP]
 [Phone]

DATE	QUOTE #	CUSTOMER PO #	CUSTOMER CONTACT

ITEM #	QTY	H	DR	DL	A	DS	N/A	SF/PANEL
FSC-1								
FSC-2								
FSC-3								
FSC-4								
FSC-5								
FSC-6								
FSC-7								
FSC-8								
FSC-9								
FSC-10								
FSC-11								
FSC-12								
FSC-13								
FSC-14								
FSC-15								
FSC-16								

SIGNATURE INDICATES APPROVAL OF ABOVE CUT LIST AND
 AUTHORIZES TEXAS ACM TO PROCEED WITH FABRICATION UPON RECEIPT OF SIGNED SALES ORDER.

Signature Date

Printed Name

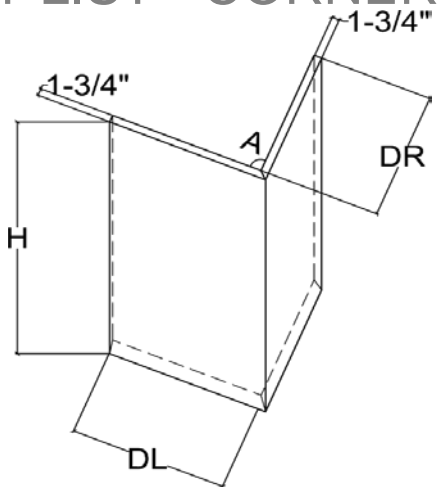
If you have any questions or concerns, please contact
 Jason Milliken 512-466-1181 texasacm3@gmail.com
Thank You For Your Business!



CUT LIST - CORNER

16809 Radholme Court
 Round Rock, TX 78664
 Phone: 512-466-1181
 Fax: 512-252-8923
www.texasacm.net

H = HEIGHT
 DR = DEPTH RIGHT (I.D.)
 DL = DEPTH LEFT (I.D.)
 A = ANGLE



CUSTOMER / BILL TO:

[Name]
 [Company Name]
 [Street Address]
 [City, ST ZIP]
 [Phone]

PROJECT / SHIP TO:

[Name]
 [Company Name]
 [Street Address]
 [City, ST ZIP]
 [Phone]

DATE	QUOTE #	CUSTOMER PO #	CUSTOMER CONTACT

ITEM #	QTY	H	DR	DL	A	N/A	N/A	SF/PANEL
CR-1								
CR-2								
CR-3								
CR-4								
CR-5								
CR-6								
CR-7								
CR-8								
CR-9								
CR-10								
CR-11								
CR-12								
CR-13								
CR-14								
CR-15								
CR-16								

SIGNATURE INDICATES APPROVAL OF ABOVE CUT LIST AND
 AUTHORIZES TEXAS ACM TO PROCEED WITH FABRICATION UPON RECEIPT OF SIGNED SALES ORDER.

Signature Date

Printed Name

If you have any questions or concerns, please contact
 Jason Milliken 512-466-1181 texasacm3@gmail.com
Thank You For Your Business!